

ELLIPSE

Bartoli Design / 2001



Floor standing coat-hanger

Frame: elliptic aluminium tube with die-cast aluminium base in powder coated finish.
Umbrella ring with removable water-collector and hanger in thermoplastic material.
Version in white finish may have hooks in ivory, anthracite or aluminium as per customer's choice.



Awards:
Adi Design Index

Wall mounted coat hanger with 4 hooks, max load Kg.15 – length 60 cm.

Terminal elements and hooks in thermoplastic material.

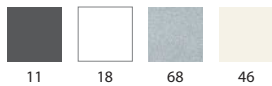
Frame in aluminium tube in powder coated finish.
Version in white finish may have hooks in ivory, anthracite or aluminium as per customer's choice.



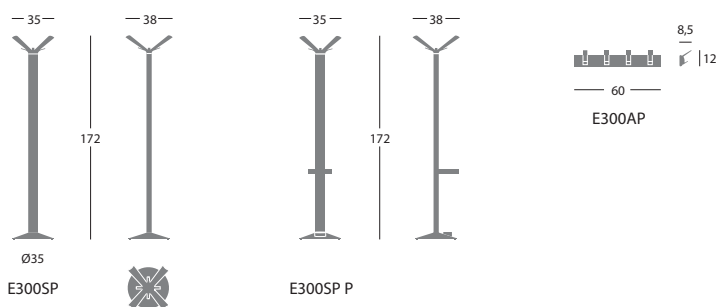
	Article	pcs / dimensions volume / gross weight product net weight
Floor standing coat-hanger	E300SP	1 pc / 41x41x176 cm 0,30 m3 / 16 Kg
Floor standing coat-hanger with umbrella's ring	E300SP P	1 pc / 41x41x176 cm 0,30 m3 / 16,2 Kg
Wall-mounted coat hanger with 4 hooks length 60 cm	E300AP	4 pc / 65x20x20 cm 0,03 m3 / 4,5 Kg 1 Kg

Finishes

Frame



Dimensions



Note

Art. E300AP Max loading capacity for each hook kg.15

Additional costs

Bicoloured version: frame/hangers
E300SP / E300SP M

Bicoloured version: frame/hangers/
umbrella's ring E300SP P